

MANUAL

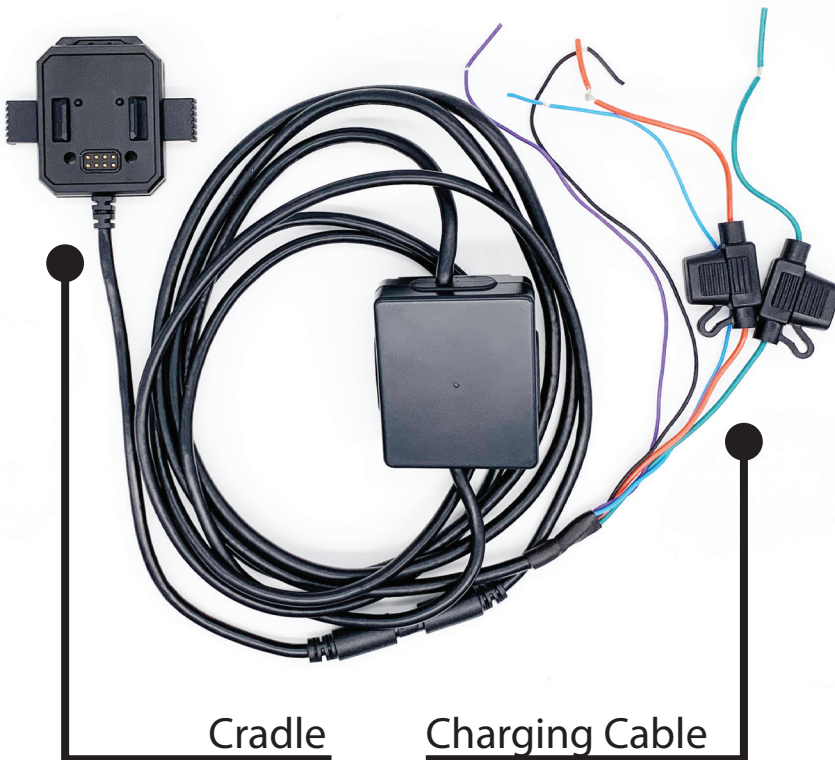


DMD-T665

Package components



Phone



Cradle

Charging Cable



Screws:
4 nos.
4 nos.
1 no.

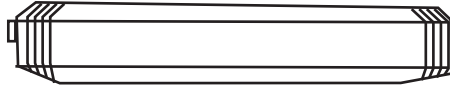


Pin

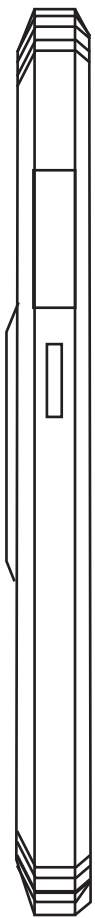


Screwdriver

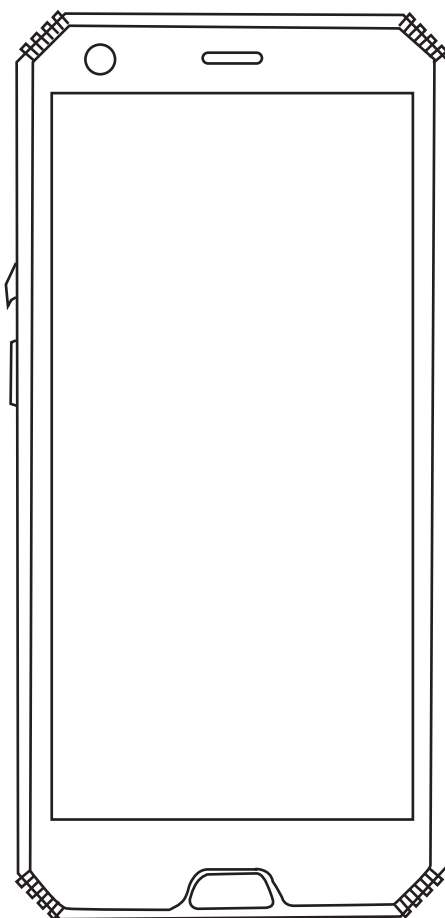
Front / Left / Right / Top / Bottom / Rear



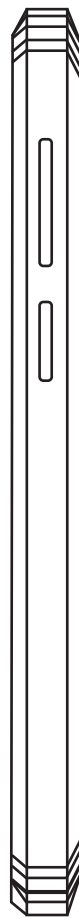
Top View



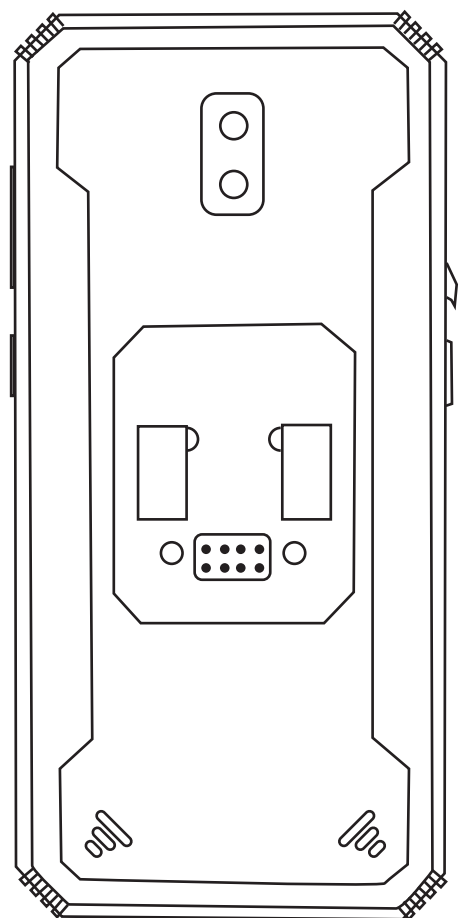
Left View



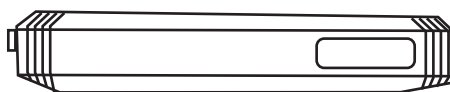
Front View



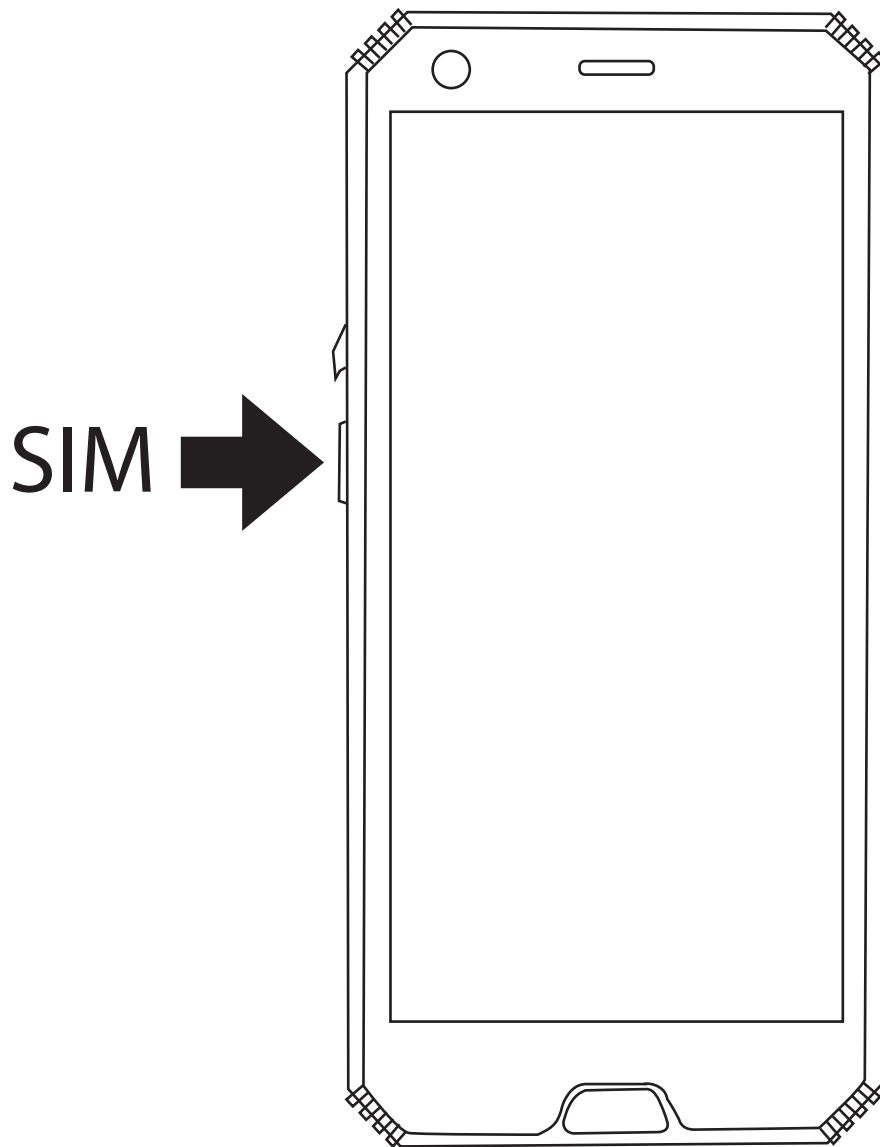
Right View



Rear View



Bottom View

Inserting SIM cardSIM card

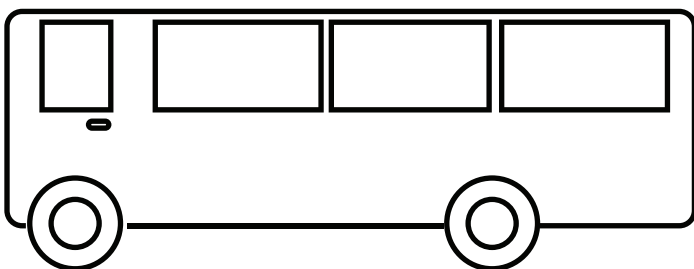
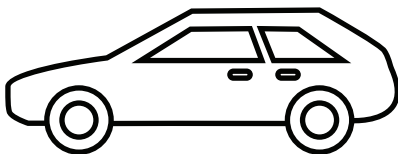
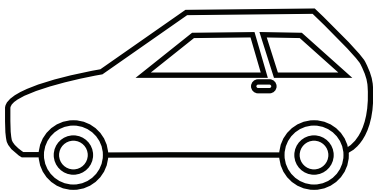
- Pull rubber cap to get access to multi-card holder
- Insert a pin to eject the card holder.
- Place / remove of SIM/Micro SDXC card into the multi-card holder.
- Insert the multi-card holder.
- Multi-card holder can be locked by screw in preventing from the SIM to be lost or stolen.

2 IN 1 CRADLE



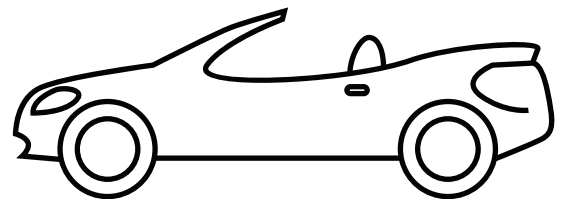
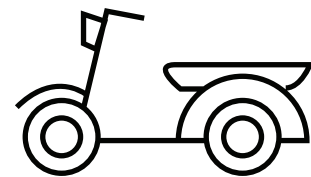
Option 1
Easy-Detach
-To-Go

Suitable for
driver who wants
to easy pick
the device & go



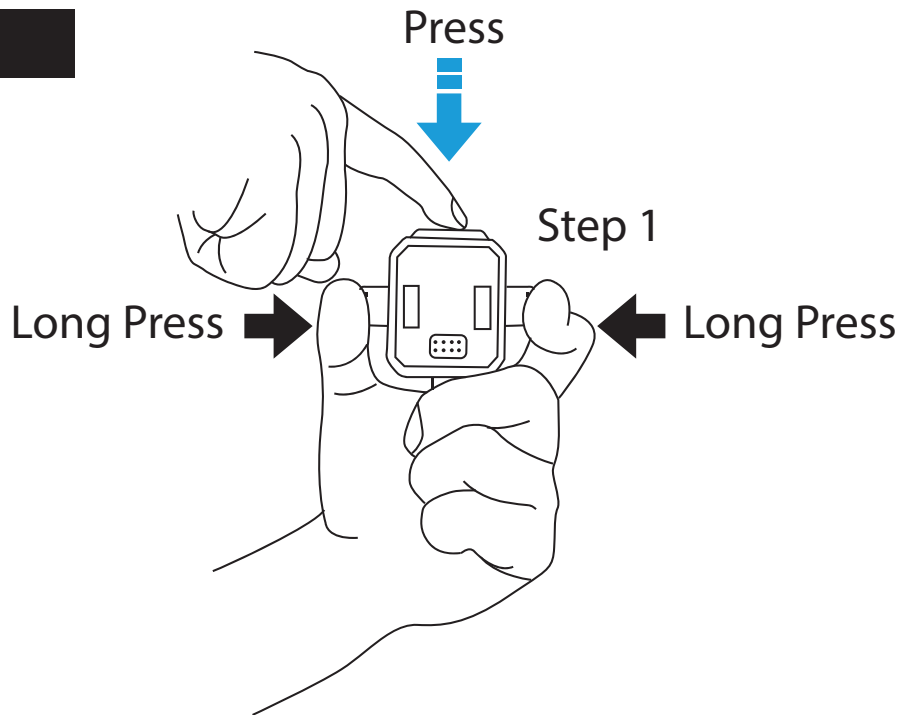
Option 2
Strong-
Mounted

Ideal for
Topless Vehicule
which fits for
an open-air
driving experience

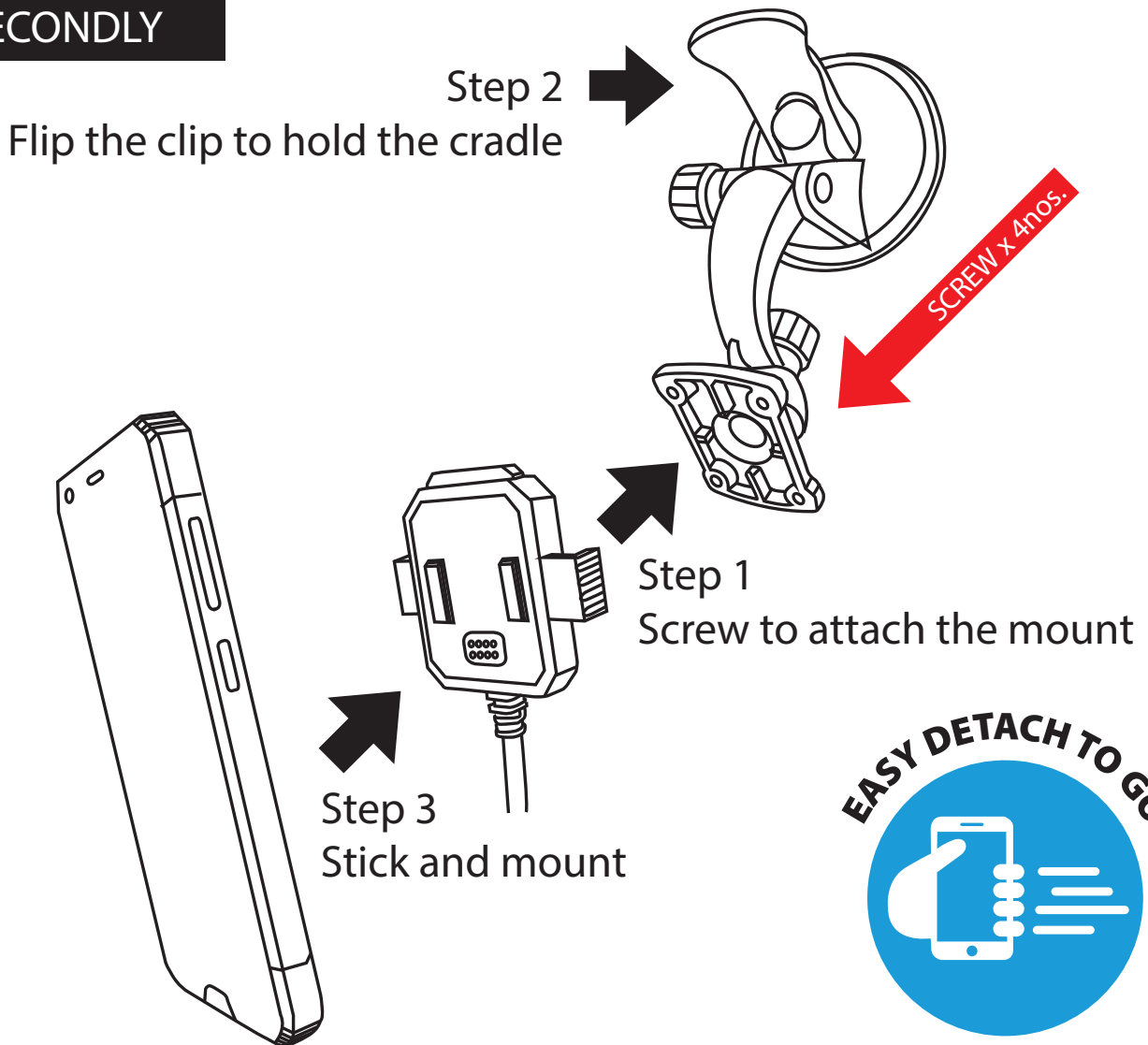


Cradle installation - Option 1 (Easy-Detach-To-Go):

FIRST

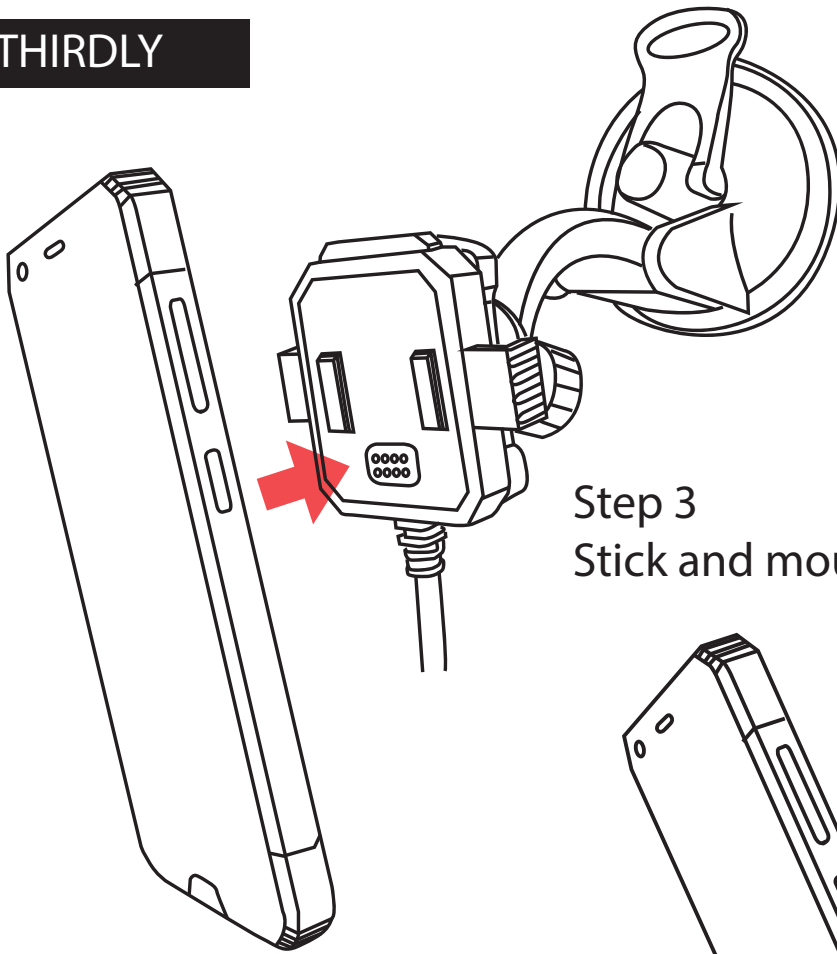


SECONDLY



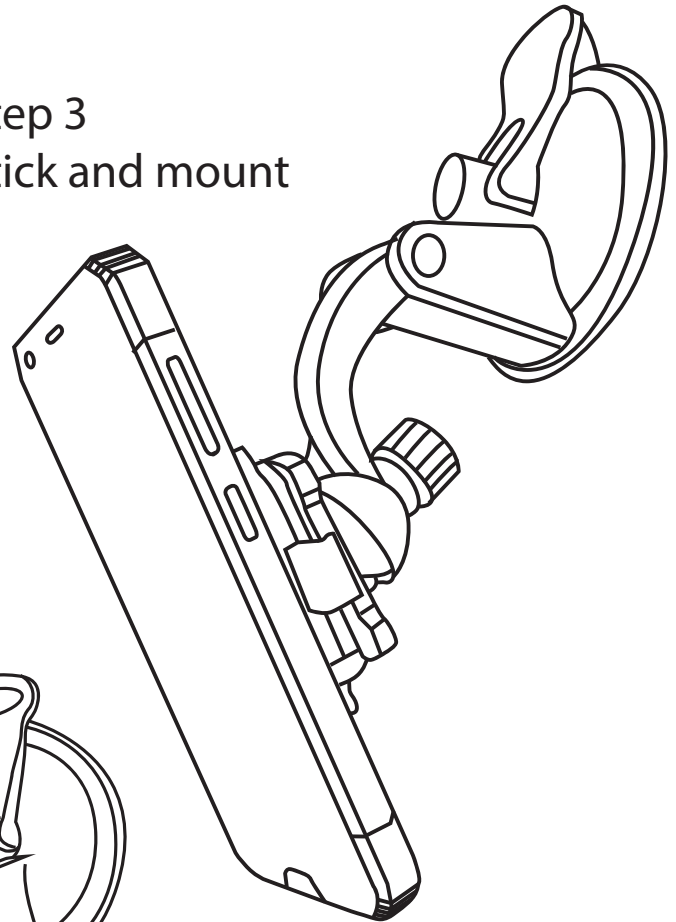
Cradle installation - Option 1 (Easy-Detach-To-Go):

THIRDLY

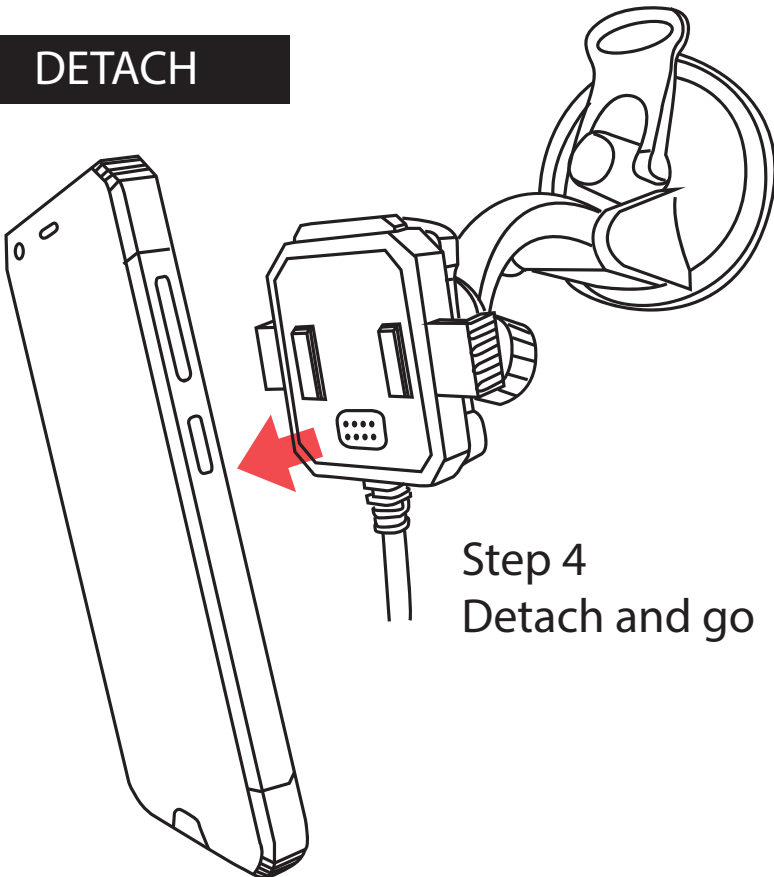


Step 3
Stick and mount

FINALLY



DETACH

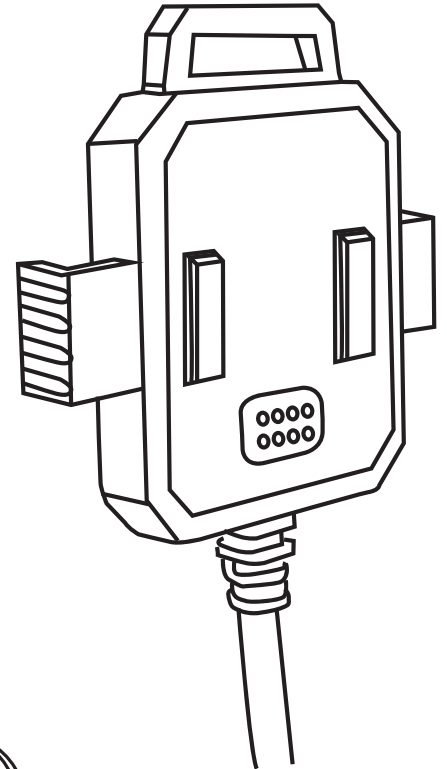
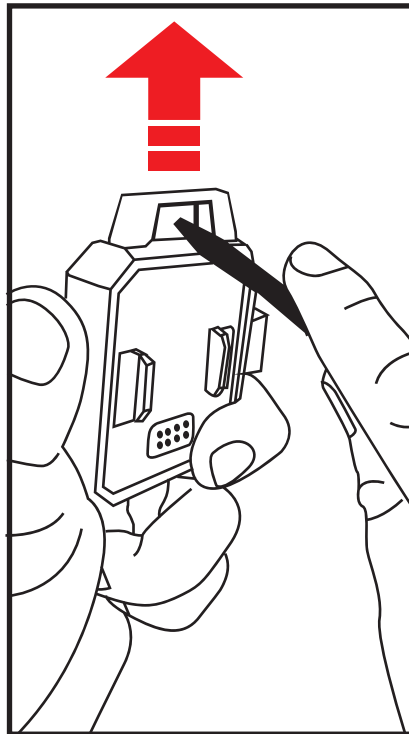
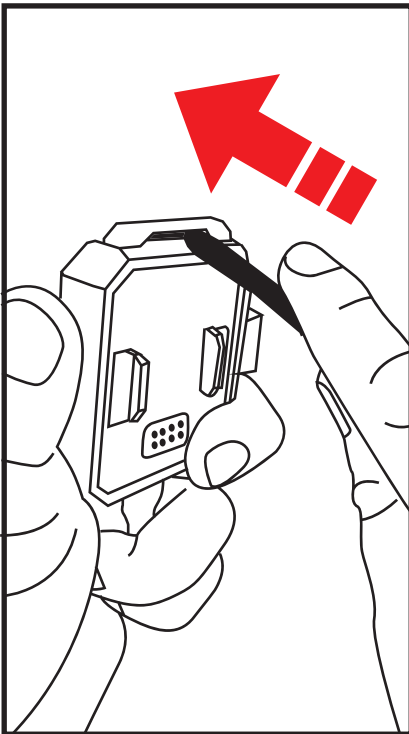


Step 4
Detach and go



Cradle installation - Option 2 (Strong-Mounted):

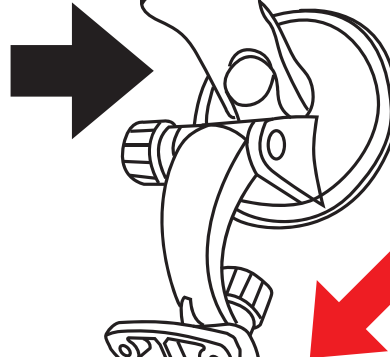
FIRST



SECONDLY

Flip the clip to hold the cradle

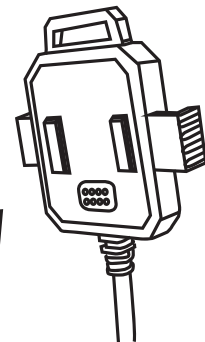
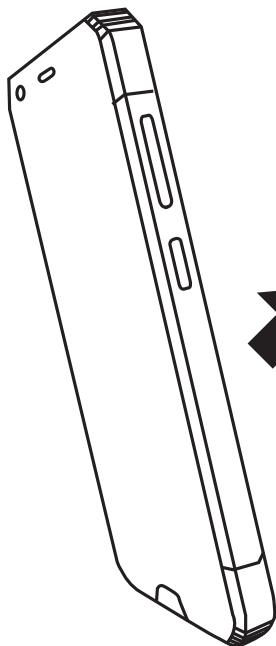
Step 2



SCREW x 4nos.

Step 1

Screw to attach the mount



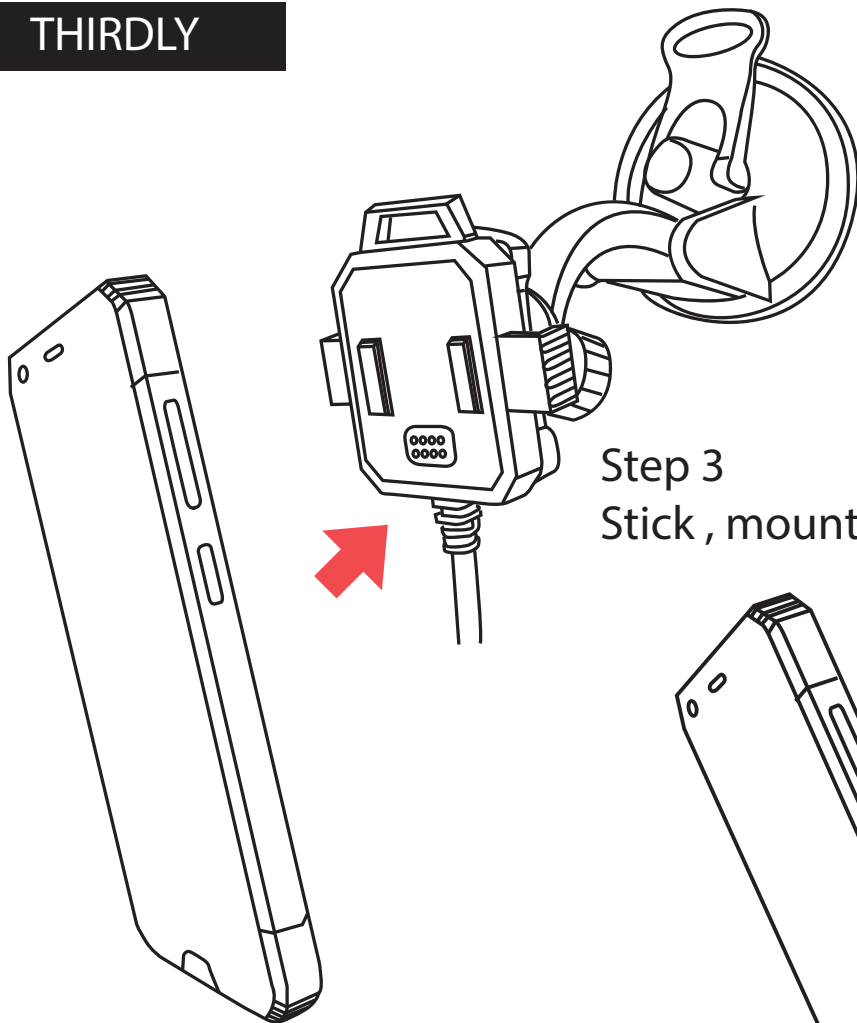
Step 3

Stick, mount and lock



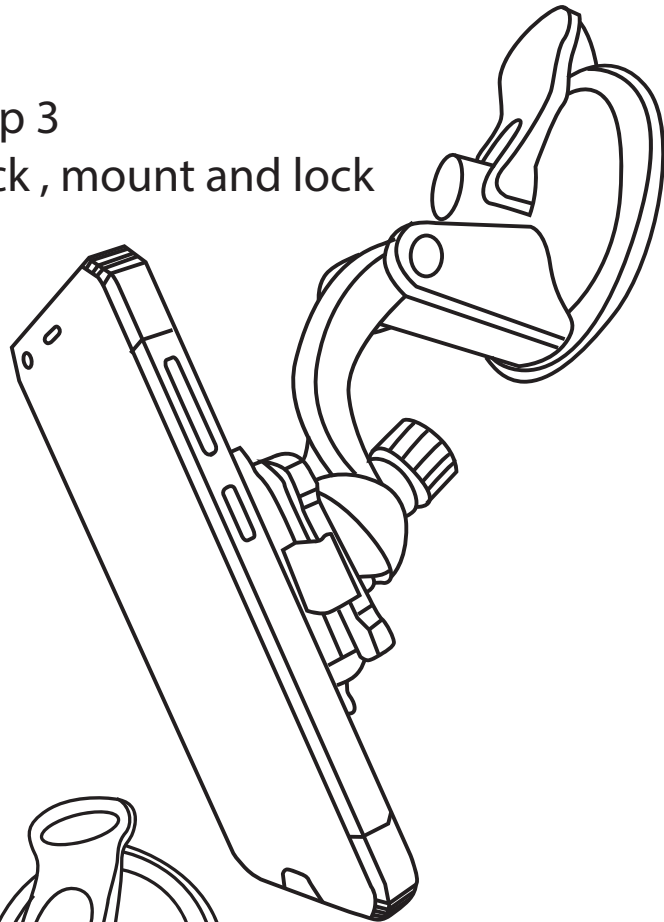
Cradle installation - Option 2 (Strong-Mounted):

THIRDLY

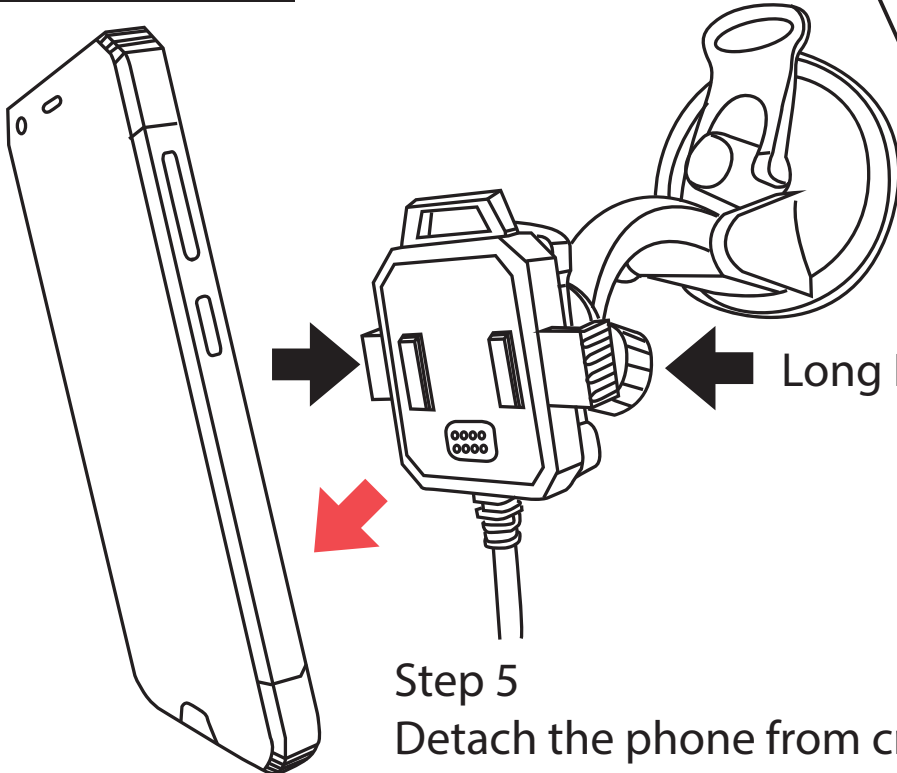


FINALLY

Step 3
Stick, mount and lock



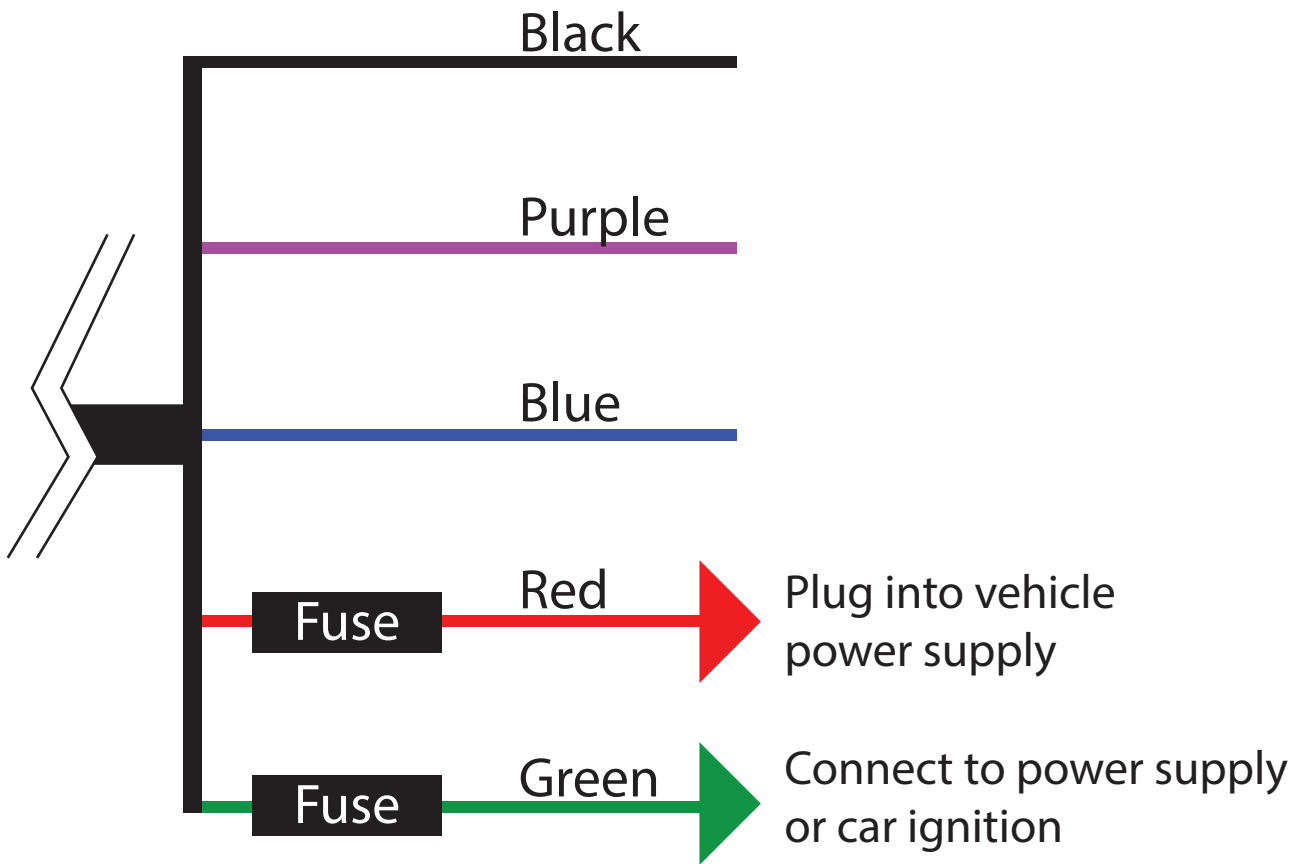
DETACH



Step 5
Detach the phone from cradle

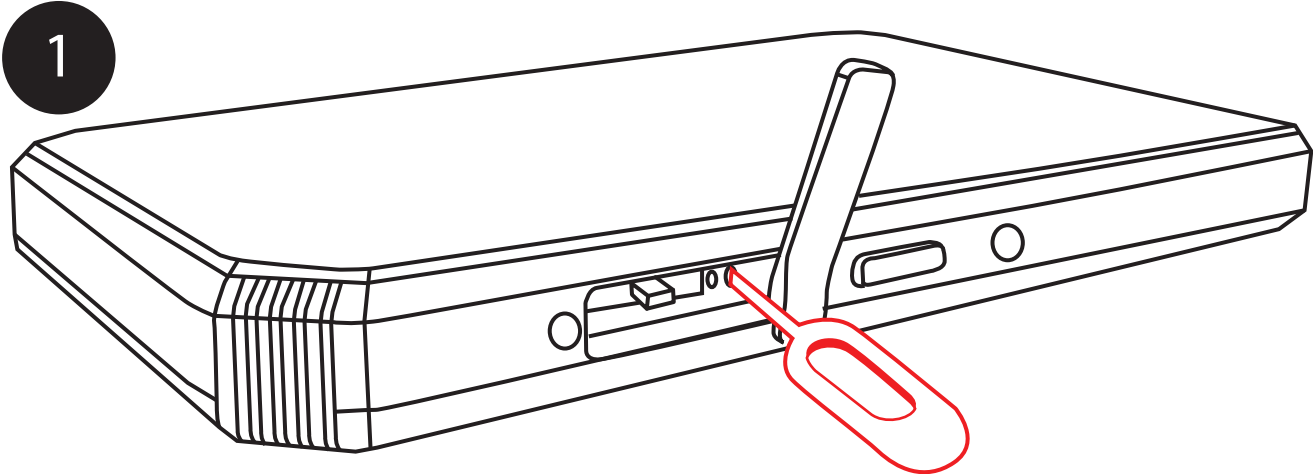


Charging Device

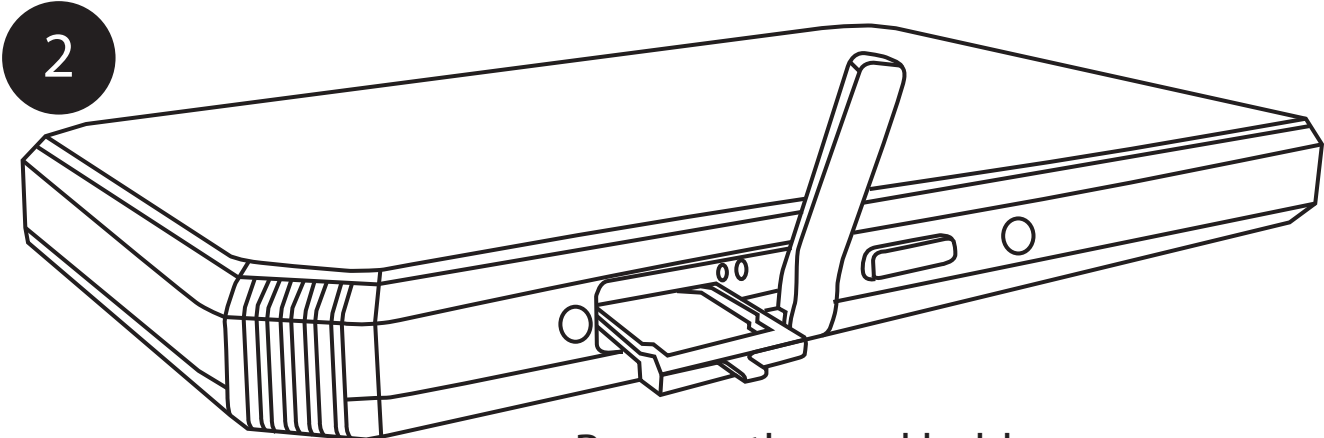


CORE	DESCRIPTION
Black	GND + Shield
Purple	RXD (RS232)
Blue	TXD (RS232)
Red	Power 9-36V (with fuse)
Green	Ignition 9-36V (with fuse) {Please note that the ignition input is used to control the power supply to the phone. If ignition is low, no power supply to the phone (no charging)}

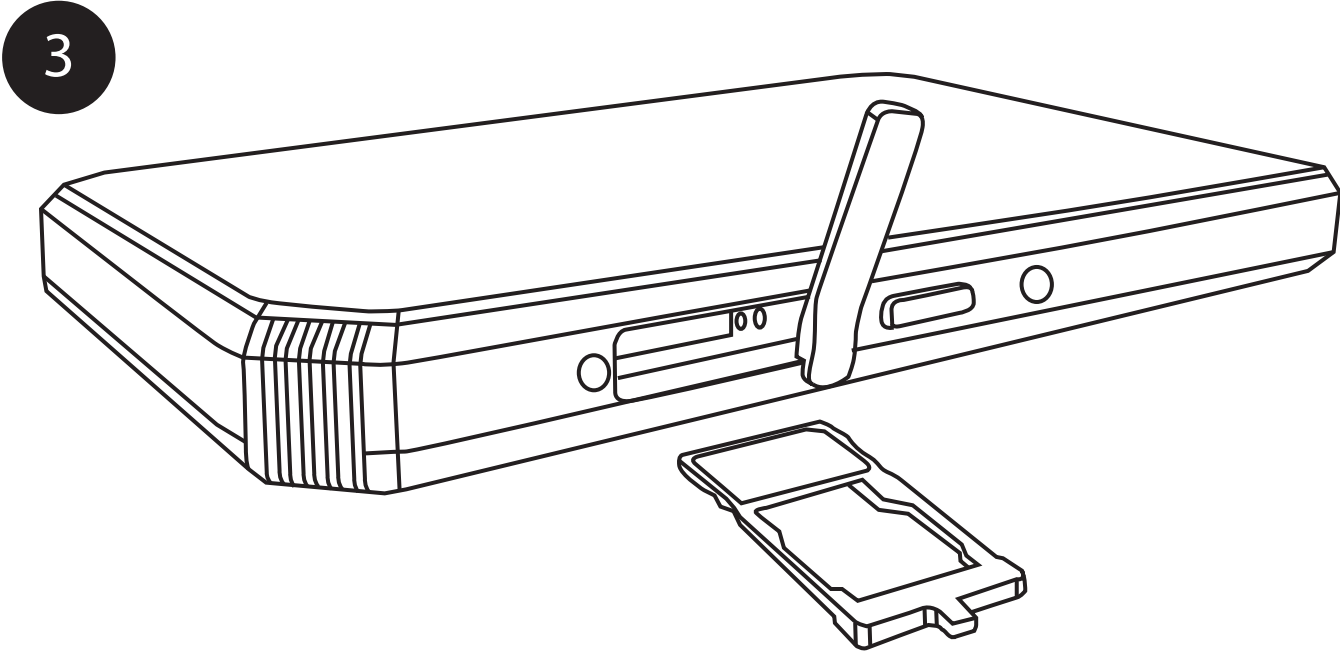
Inserting / Removing of SIM card / Micro SD Card



Insert a pin to pop the card holder.

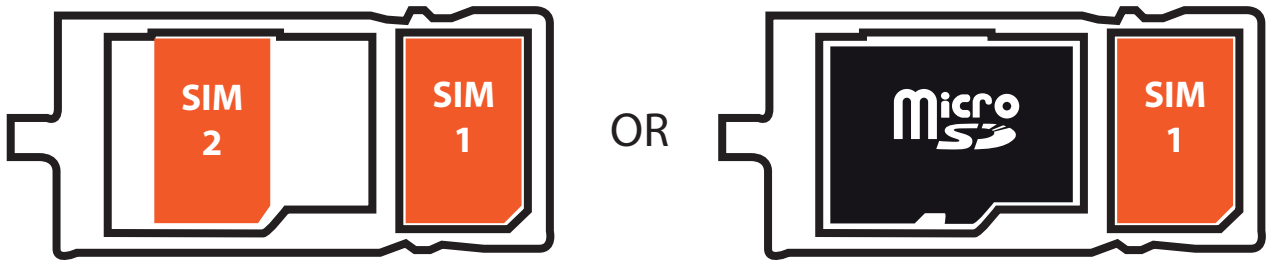


Remove the card holder.

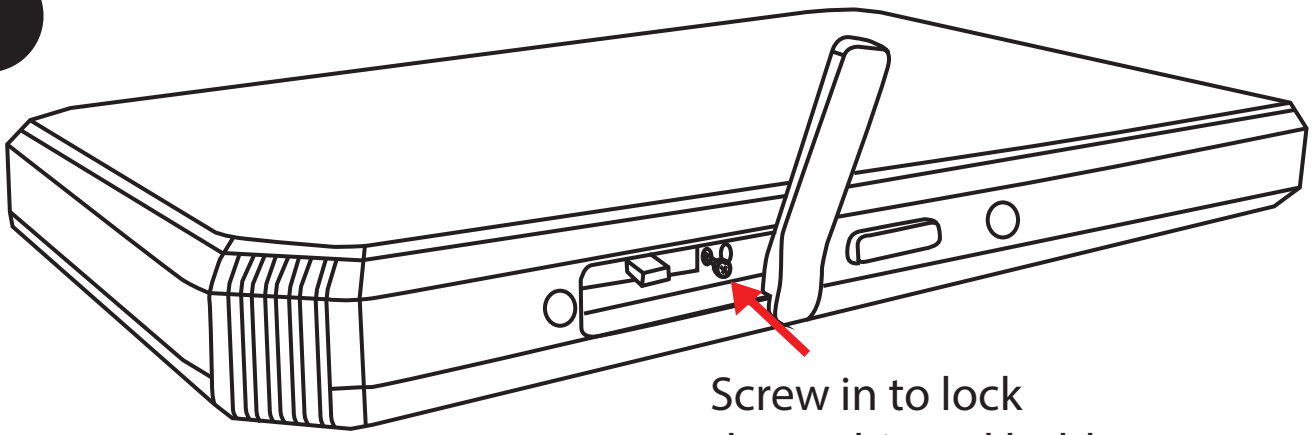


Inserting / Removing of SIM card / Micro SD Card

4 Place the cards



5



Screw in to lock the multi-card holder.